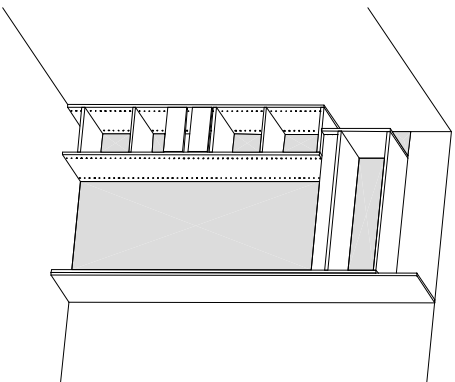
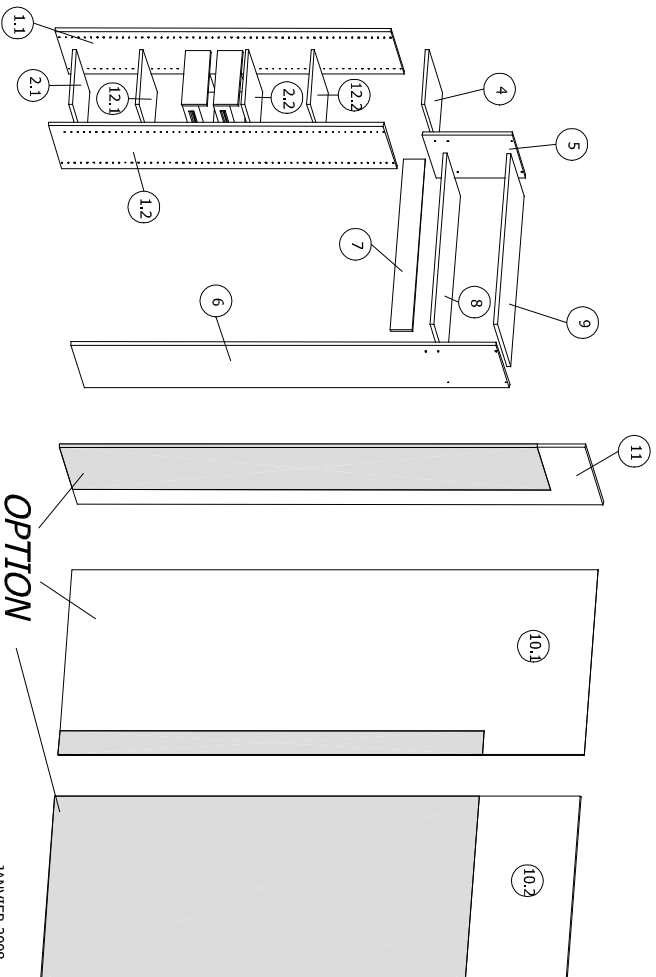


Rangement modulaire

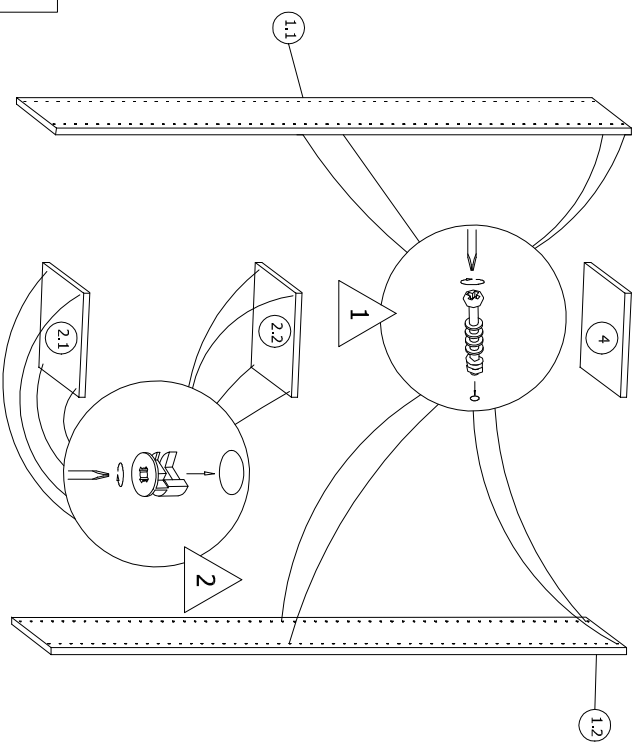
ASTUCIO



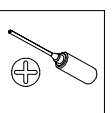
A 	F 	G 	
x8	x2	x1	
Q 	U 	N1 	N2
x4	x1	x8	x8



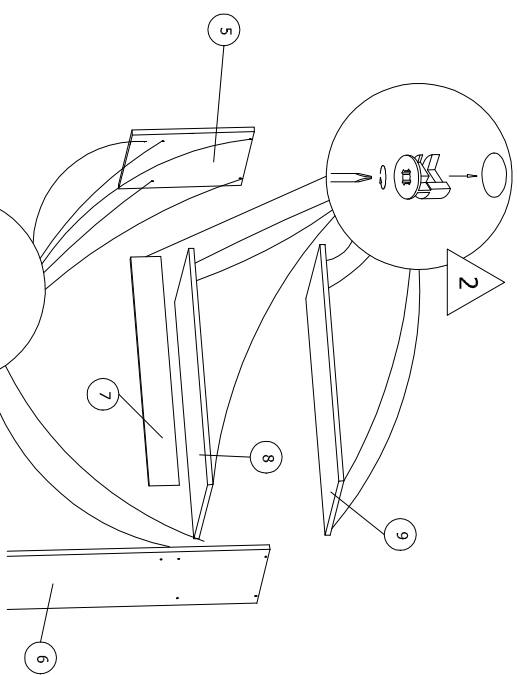
1



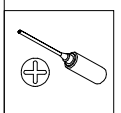
N1 	N2
x10	x12



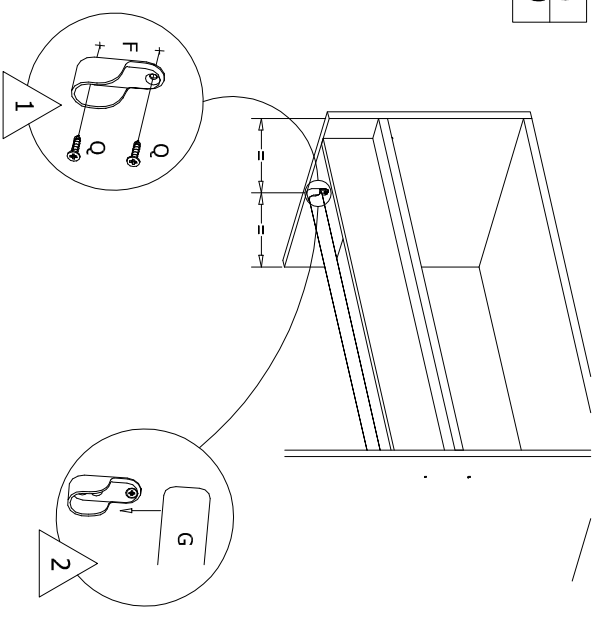
2






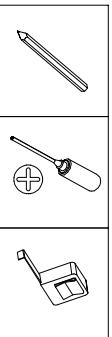
N1 	N2
x10	x10



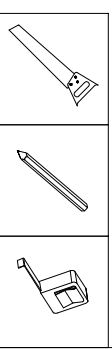
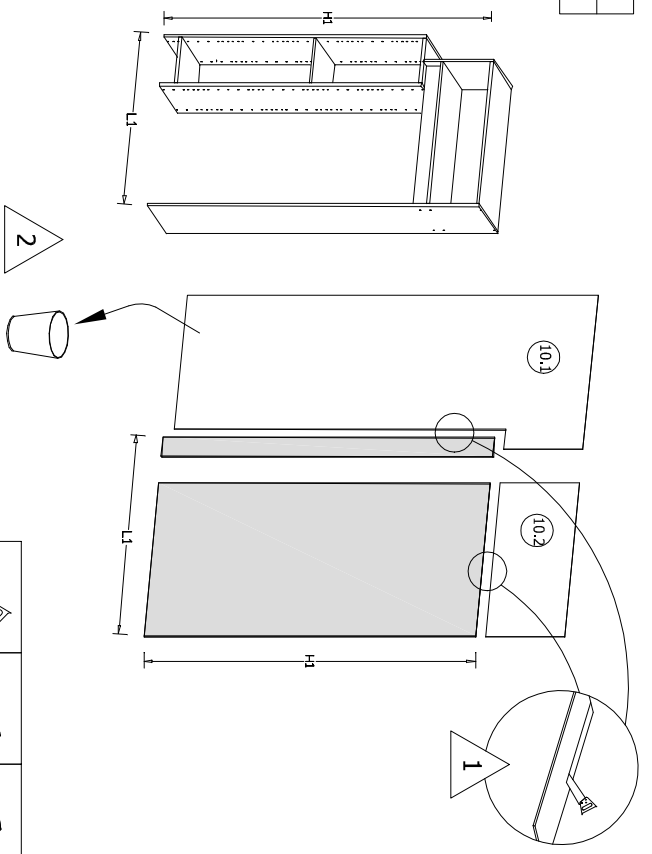
3



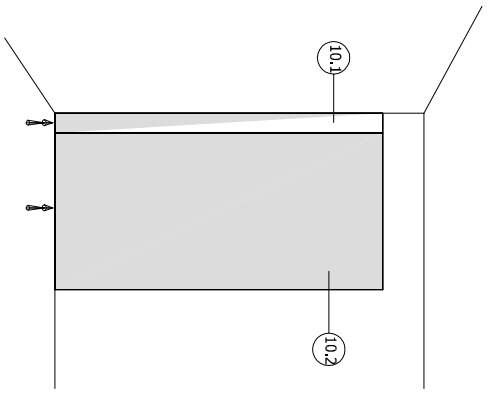
- F  x2
- G  x1
- Q  x4



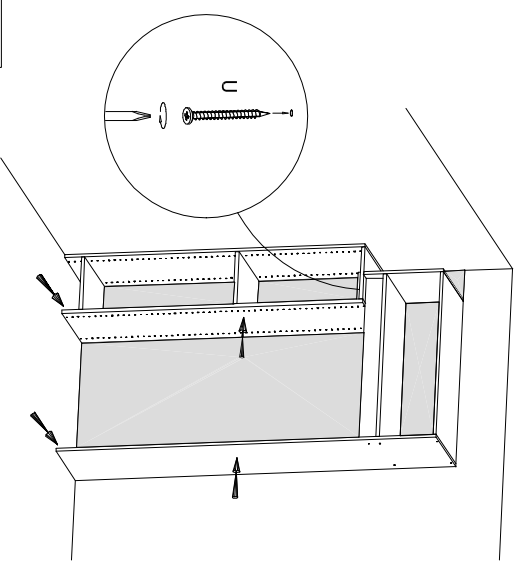
4




5



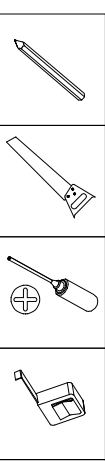
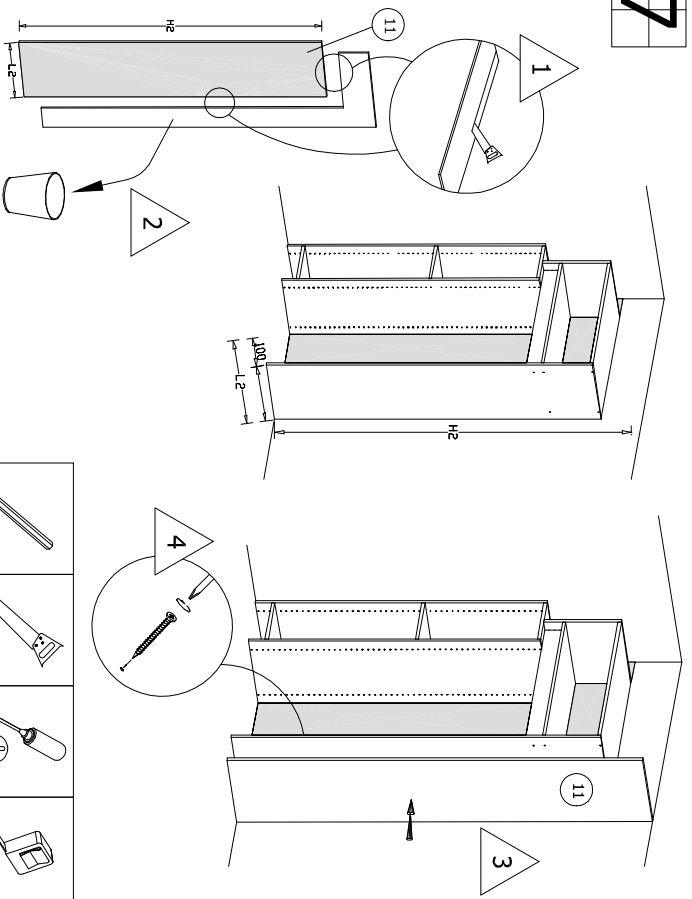
6



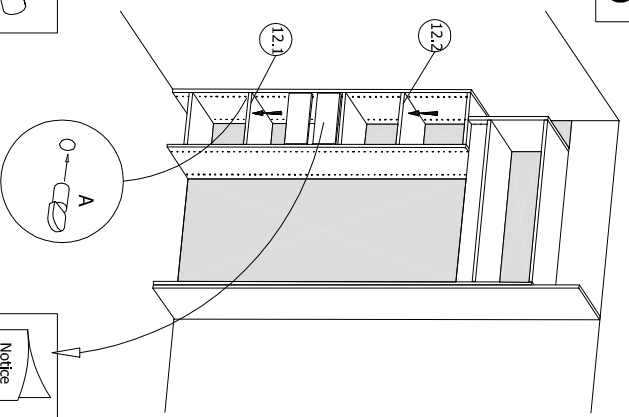
- U  x1




7



8



- A  x8

Notice TIRDIR